

Audio & Video Extender

BUY ON
www.cablematic.com

User's Manual

Description:

The Audio Video Extender uses a local transmitter, and a remote receiver to extend the transmission distance up to 30~50M depend on equipment 1 cable quality via cat 5/5e UTP/STP cable

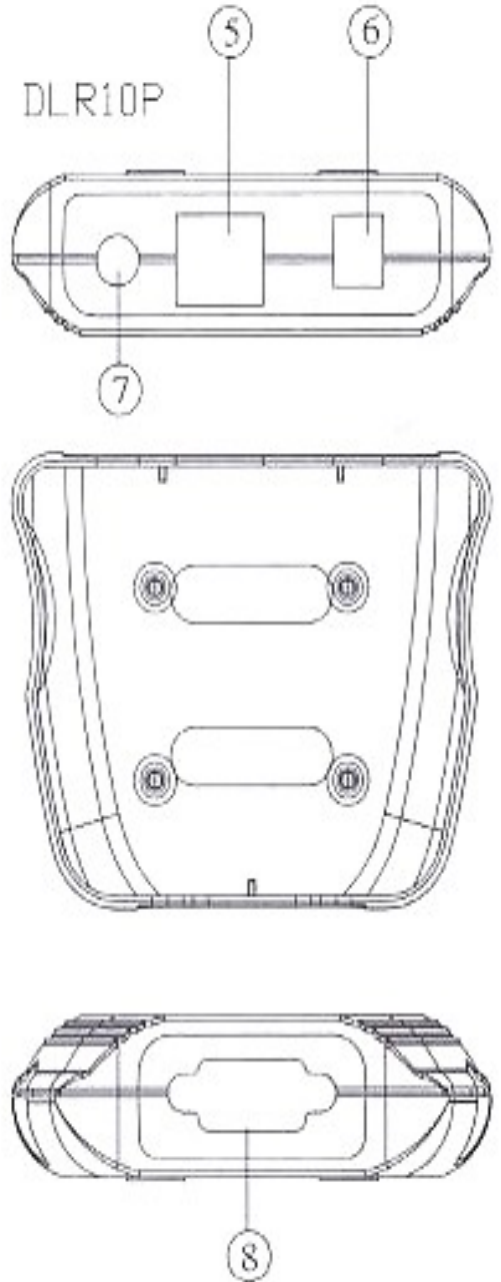
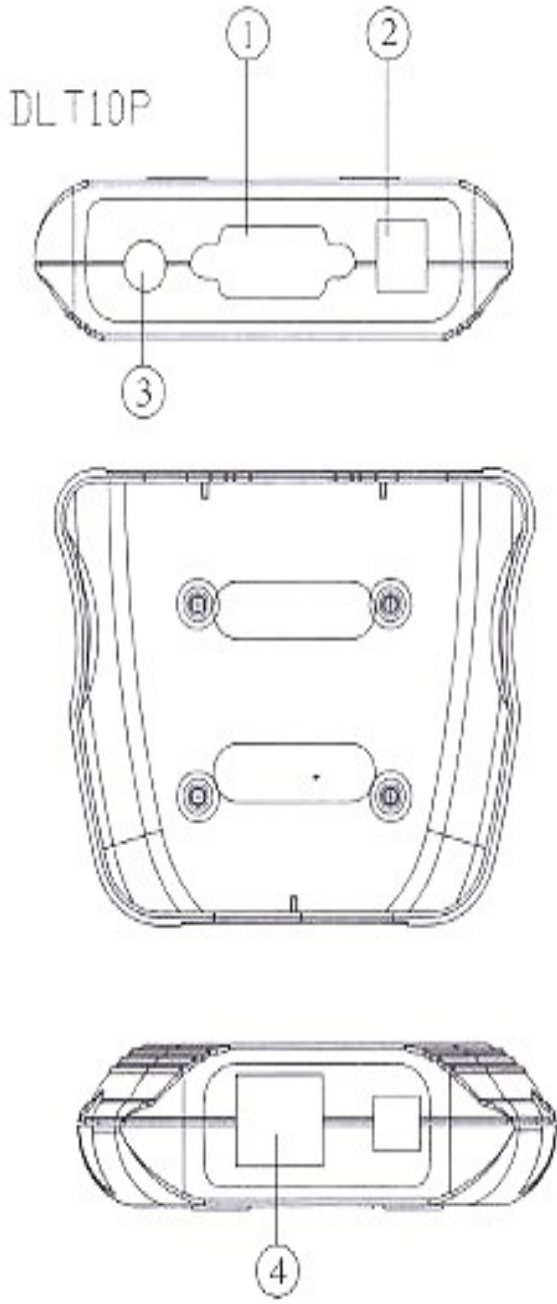
Features:

- * Compact desktop size transmitter and receiver.
- * Works with Cat5, Cat5e, Cat6.
- * Transmission distance of up to 30~50M MAX.
- * Plug-N-Play with easy setup for video signal adjustments.
- * Compatible with DOS, MS Windows, Linux, Unix and Netware.
- * No software installation required.
- * Supports high VGA resolution up to 1280 x 1024.
- * Power LED and data transmission LED indication.
- * Connection between transmitter and receiver with a standard Network cable.
- * Local Monitor DDC support.

Specifications:

Function/Model	DLT10P	DLR10P
Input	HD-15M X 1, ϕ 3.5 Phone Jack x 1 USB A/Type x 1	8P8C x 1
Output	HD-15F X 1, ϕ 3.5 Phone Jack x 1 8P8C x 1	HD-15F x 1, ϕ 3.5Phone Jack x 1
Max.Resolution	1280x1024	
Video Bandwidth	150MHz	
Horizontal Frequency	30-100KHz	
Vertical Frequency	43-120HZ	
Transmission Distance	a. PC to DLT10P: 1.2 meters b. DLT10P to Local Monitor: 7.5 meters c. DLT10P to DLR10P: 5~50 meters d. DLR10P to Remote Monitor: 7.5 meters	
EX.Power adaptor	No	5V 600mA
Housing	Plastic	

Introduction:



Number	Model	Function
1	HD15/F	Output signal
2	DC Jack	Power adaptor
3	PHONE Jack	Audio out
4	RJ 45	Connect to LAN
5	RJ 45	Connect to LAN
6	DC Jack	Power adaptor
7	PHONE Jack	Audio out
8	HD15/F	Output signal

Application:

DLT10P



DLR10P

