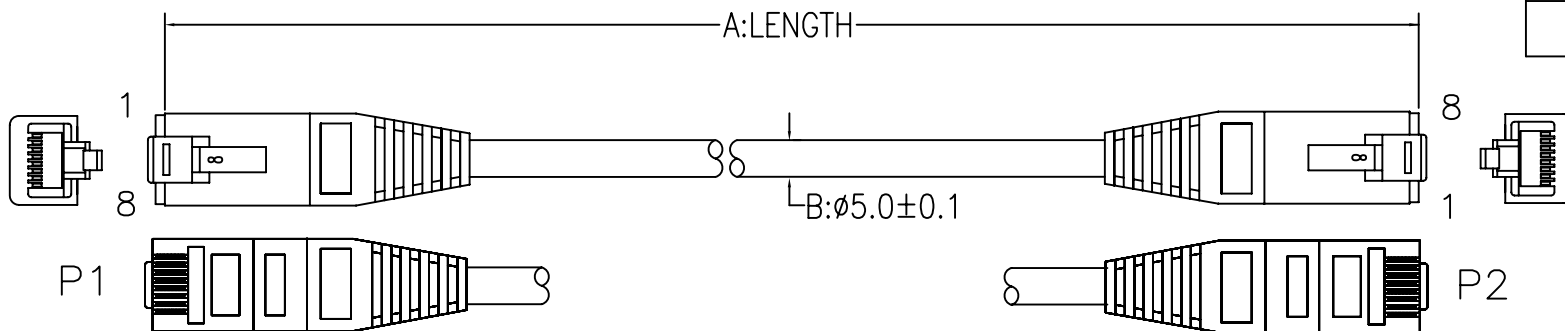
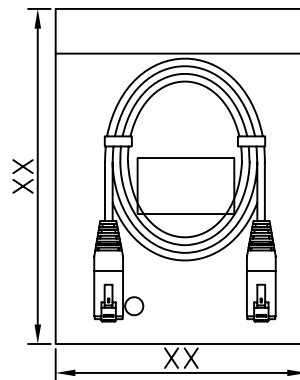
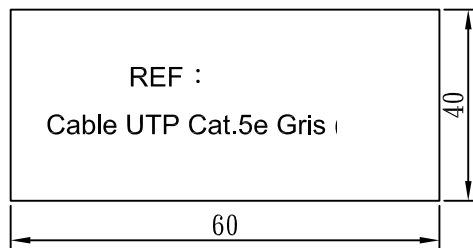
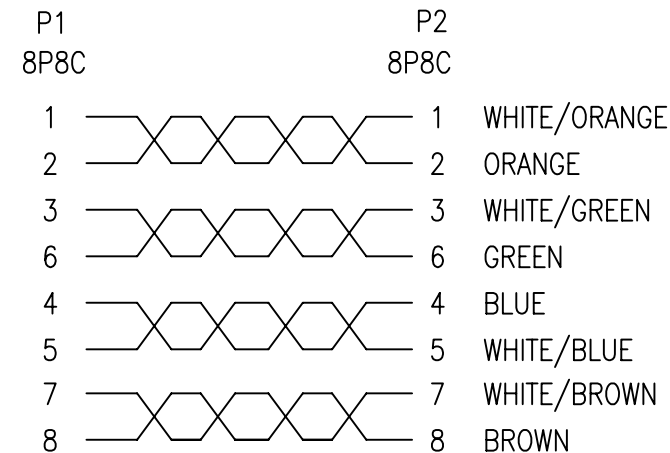


CUSTOMER NO:	REMARK
	Cablematic



PART NO.:	ITEM NO.:	LENGTH	PE BAG SIZE	LABEL SIZE	CARTON QT'Y
W47C5ULG0.25	RL51	250±20MM	6"*8"*0.06MM	40*60mm	350PCS
W47C5ULG0.5	RL52	500±30MM	6"*8"*0.06MM	40*60mm	300PCS
W47C5ULG01	RL53	1000±30MM	6"*8"*0.06MM	40*60mm	200PCS
W47C5ULG02	RL54	2000±30MM	6"*8"*0.06MM	40*60mm	150PCS
W47C5ULG03	RL55	3000±30MM	8"*10"*0.08MM	40*60mm	80PCS
W47C5ULG04	RL56	4000±40MM	8"*10"*0.08MM	40*60mm	60PCS
W47C5ULG05	RL57	5000±50MM	8"*12"*0.08MM	40*60mm	50PCS
W47C5ULG10	RL58	10000±100MM	8"*12"*0.08MM	40*60mm	40PCS
W47C5ULG15	RL59	15000±100MM	8"*12"*0.08MM	40*60mm	20PCS
W47C5ULG20	RL60	20000±100MM	9"*14"*0.08MM	40*60mm	15PCS

PINOUT:



3	OUTER JACKET PVC 45Pa LIGHT GRAY(2005) (RoHS)
2	RJ45 8P8C PLUG PLATED GOLD 3U" UN/SHIELD (RoHS)
1	CAT. 5E UTP CABLE 26#4P(7*0.16) CCA STRANDED TYPE LIGHT GRAY(2005) OD:5.0MM XXXXMM (RoHS)

B	ADD LENGTH	J.LAN	16/10/10
REV.	DESCRIPTION	C.N.	DATE

<small>THESE DRAWINGS AND SPECIFICATIONS ARE THE PROPERTY OF WIRETEK COMPUTER LIMITED AND SHALL NOT BE REPRODUCED COPIED OR USED IN ANY MANNER WITHOUT THE PRIOR WRITTEN CONSENT OF WIRETEK COMPUTER LIMITED.</small>		TITLE	
<small>UNLESS OTHERWISE SPECIFIED: DIMENSIONS ARE IN MILLIMETERS ANGULAR TOLERANCE: ±1.0°</small>		<h1>UTP CABLE</h1>	
DIMENSIONS	TOLERANCE	CHKD.	CONF.
0.00 TO 30.00mm	±0.10mm		
30.01 TO 80.00mm	±0.13mm	DR.	APPD.
80.01 TO 150.00mm	±0.15mm		
150.01mm	±0.20mm	PART NO.	W47C5ULGX
MATERIAL	MATERIAL	SCALE	SHEET 1/2 UNIT MM SIZE A4 REV. B
FINISH	FINISH		