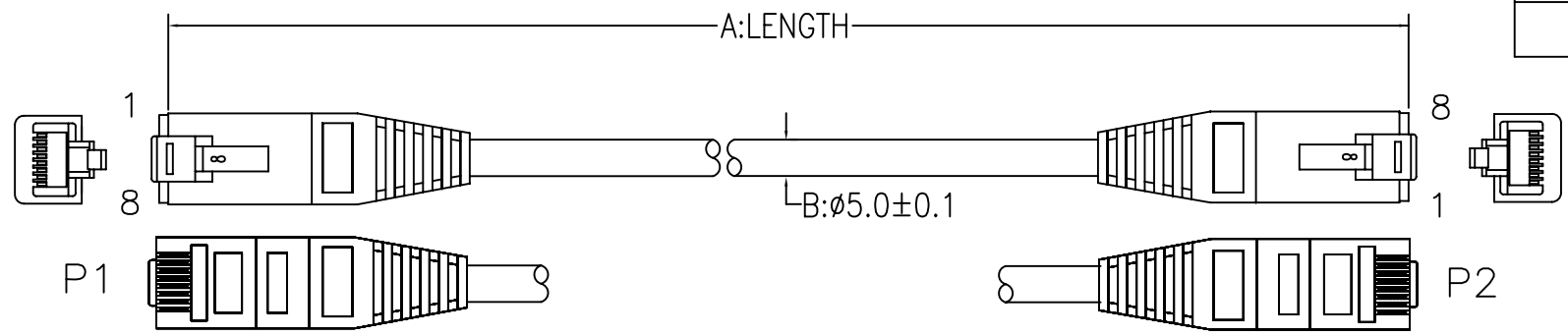
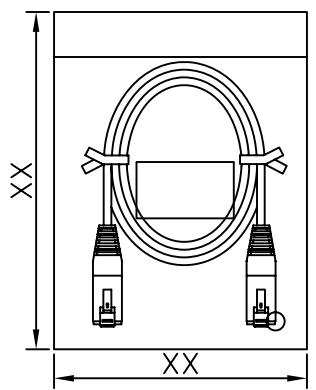
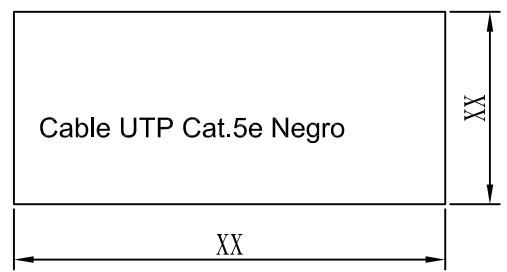
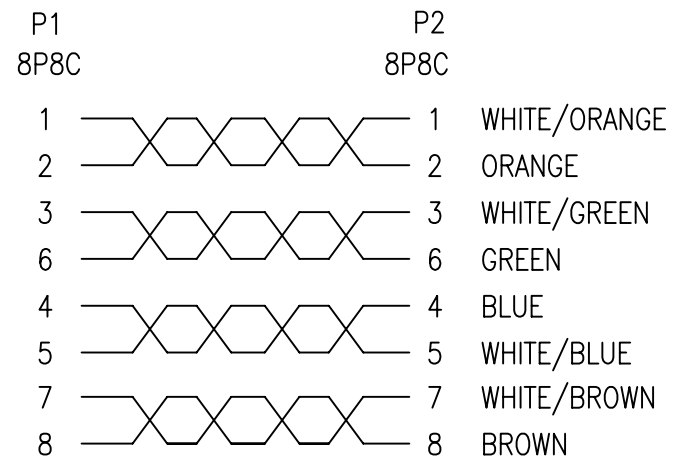


CUSTOMER NO:	REMARK
	Cablematic



PART NO.:	CUSTOMER NO.:	LENGTH	PE BAG SIZE	LABEL SIZE	CARTON QT'Y
W47C5UBK0.5	RL42	500±30MM	6"*8"*0.06MM	40*60mm	250PCS
W47C5UBK01	RL43	1000±30MM	6"*8"*0.06MM	40*60mm	200PCS
W47C5UBK1.8	RL44	1800±30MM	6"*8"*0.06MM	40*60mm	120PCS
W47C5UBK05	RL47	5000±50MM	6"*8"*0.06MM	40*60mm	60PCS

PINOUT:



3	OUTER JACKET PVC 45Pa BLACK(1101) (RoHS)
2	RJ45 8P8C PLUG PLATED GOLD 3U" UN/SHIELD (RoHS)
1	CAT. 5E UTP CABLE 26#4P(7/0.16) CCA STRANDED TYPE BLACK(1101) OD:5.0MM XXXXMM (RoHS)

A	FRIST EDITION	CJAN	05/08/10
REV.	DESCRIPTION	C.N.	DATE
<small>THESE DRAWINGS AND SPECIFICATIONS ARE THE PROPERTY OF WIRETEK COMPUTER LIMITED AND SHALL NOT BE REPRODUCED COPIED OR USED IN ANY MANNER WITHOUT THE PRIOR WRITTEN CONSENT OF WIRETEK COMPUTER LIMITED.</small>			
<small>UNLESS OTHERWISE SPECIFIED: DIMENSIONS ARE IN MILLIMETERS ANGULAR TOLERANCE: ±1.0°</small>		<b>TITLE</b> <h1>UTP CABLE</h1>	
DIMENSIONS	TOLERANCE	CHKD.	CONF.
0.00 TO 30.00mm	±0.10mm		
30.01 TO 80.00mm	±0.13mm	DR.	APPD.
80.01 TO 150.00mm	±0.15mm		
150.01mm	±0.20mm		
MATERIAL	<b>MATERIAL</b>	PART NO. <b>W47C5UBKXX</b>	
FINISH	<b>FINISH</b>	SCALE	SHEET <b>1/2</b> UNIT <b>MM</b> SIZE <b>A4</b> REV. <b>A</b>