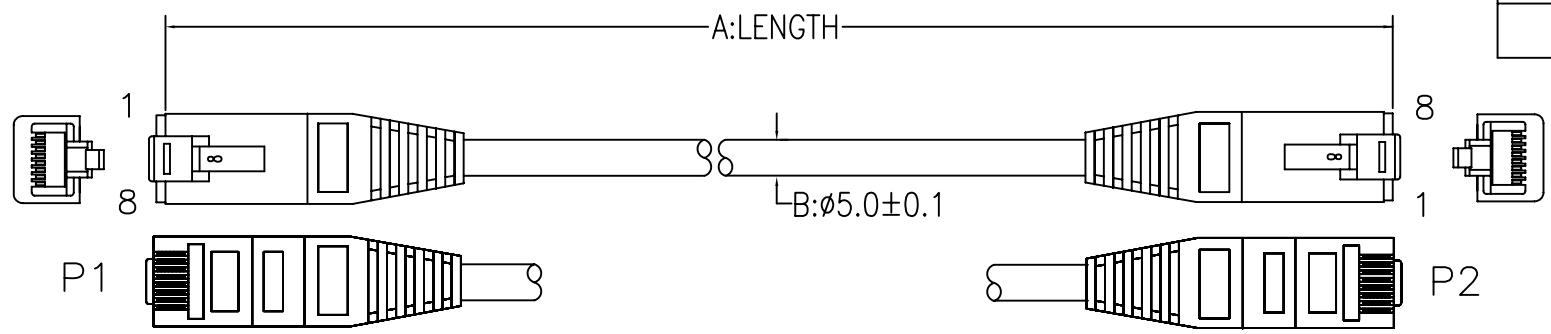
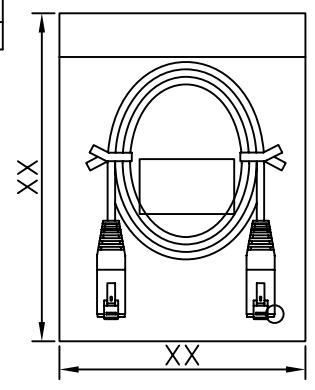
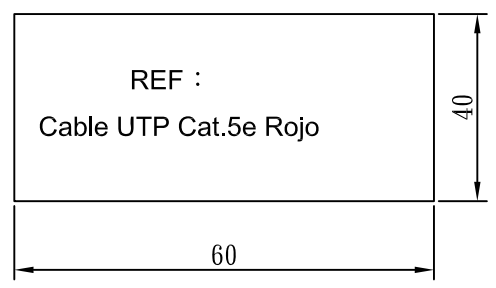
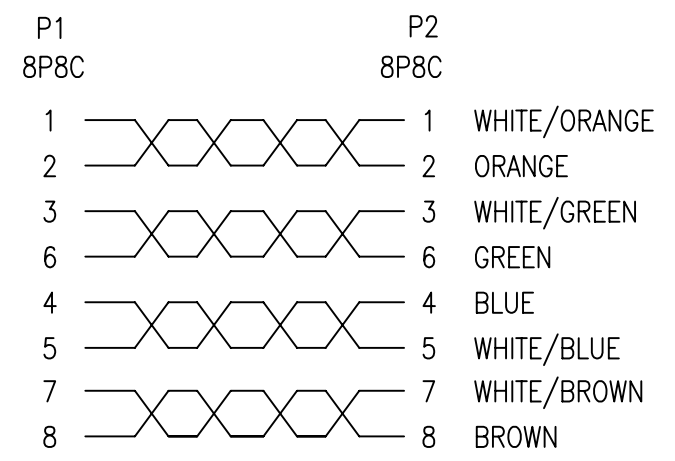


CUSTOMER NO:	REMARK
	Cablematic



PART NO.:	CUSTOMER NO.:	LENGTH	PE BAG SIZE	貼紙尺寸	CARTON Q'TY
W47C5URD0.25	RL01	250±20MM	3.5"*7"*0.06MM	40*60mm	350PCS
W47C5URD0.5	RL02	500±30MM	6"*8"*0.06MM	40*60mm	300PCS
W47C5URD01	RL03	1000±30MM	6"*8"*0.06MM	40*60mm	200PCS
W47C5URD02	RL04	2000±30MM	6"*8"*0.06MM	40*60mm	150PCS
W47C5URD03	RL05	3000±30MM	8"*10"*0.08MM	40*60mm	80PCS
W47C5URD04	RL06	4000±40MM	8"*10"*0.08MM	40*60mm	60PCS
W47C5URD05	RL07	5000±50MM	8"*10"*0.08MM	40*60mm	50PCS
W47C5URD15	RL09	15000±100MM	8"*12"*0.08MM	40*60mm	20PCS
W47C5URD20	RL10	20000±100MM	9"*14"*0.08MM	40*60mm	15PCS

PINOUT:



3	OUTER JACKET PVC 45Pa RED(1301) (RoHS)
2	RJ45 8P8C PLUG PLATED GOLD 3U" UN/SHIELD (RoHS)
1	CAT. 5E UTP CABLE 26#4P(7*0.16) CCA STRANDED TYPE RED(1301) OD:5.0MM XXXMM (RoHS)

A	FIRST EDITION	WUZAN	20/12/2010
REV.	ECR	DESCRIPTION	C.N. DATE
<small>THESE DRAWINGS AND SPECIFICATIONS ARE THE PROPERTY OF WIRETEK CO-MPUTER LIMITED AND SHALL NOT BE REPRODUCED COPIED OR USED IN ANY MANNER WITHOUT THE PRIOR WRITTEN CONSENT OF WIRETEK COMPUTER LIMITED.</small>		TITLE	
<small>UNLESS OTHERWISE SPECIFIED: DIMENSIONS ARE IN MILLIMETERS ANGULAR TOLERANCE: ±1.0°</small>		<h1>UTP CABLE</h1>	
DIMENSIONS	TOLERANCE	CHKD.	CONF.
0.00 TO 30.00mm	±0.10mm		
30.01 TO 80.00mm	±0.13mm	DR.	APPD.
80.01 TO 150.00mm	±0.15mm		
150.01mm	±0.20mm		
MATERIAL	MATERIAL	PART NO. W47C5URDXX	
FINISH	FINISH	SCALE	SHEET 1/2 UNIT MM SIZE A4 REV. A