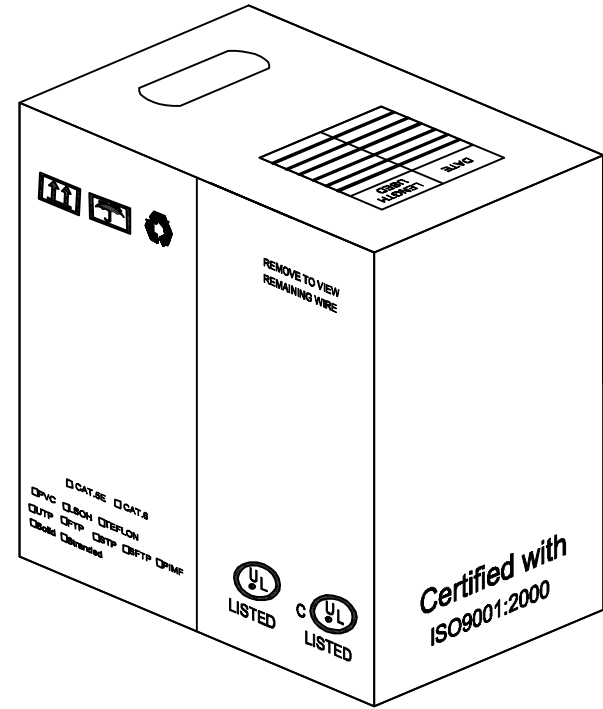
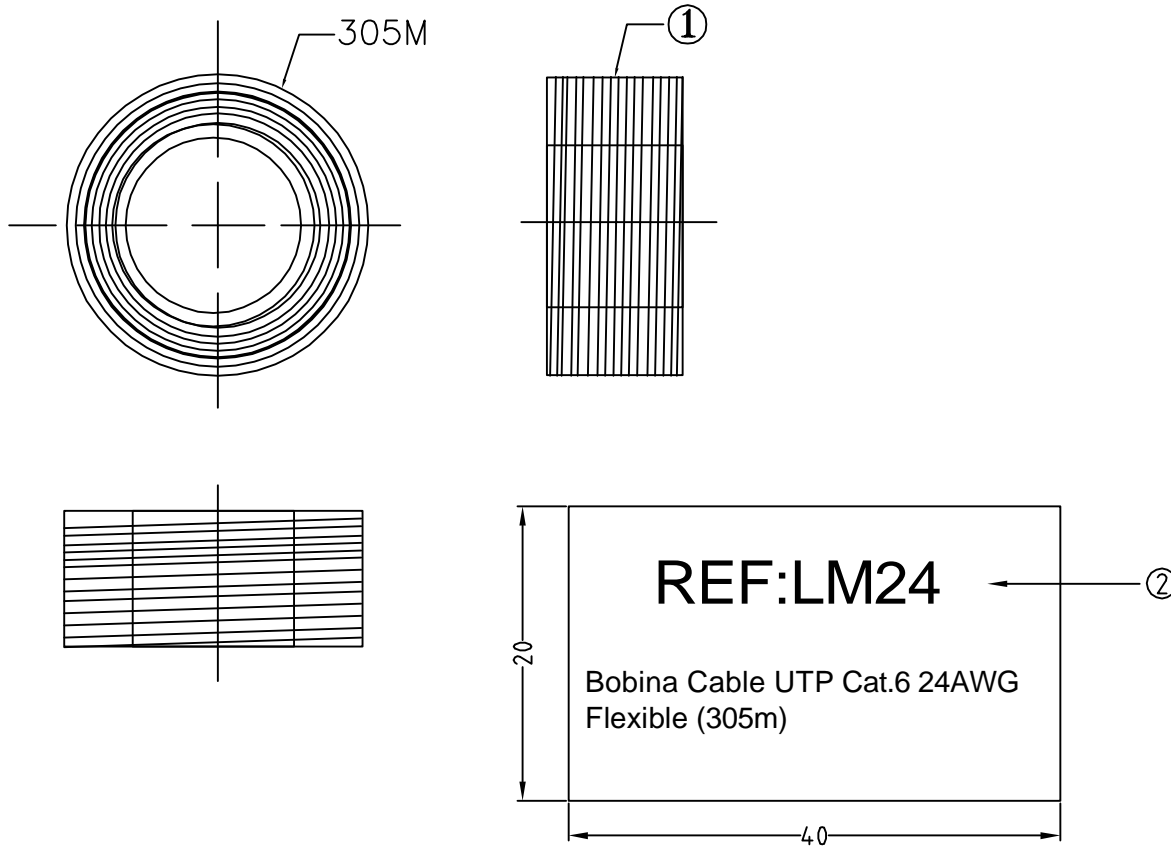


WEIGHT	CUSTOMER NO:	REMARK
M1-11150g	LM24	Cablematic



CABLE:

1) CAT.6 UTP 24#4P(7/0.20) COPPER STRABDED OD:5.5 LIGHT GRAY(2005) 305M/ROLL PRINT:1M.....305M RoHS

NOTE:

- 3) Neutral white box, the label sticked the bottom of left side of box
- 4) ROHS COMPLIANT.

A	FIRST EDITION	J.Lan	04/08/10														
REV.	DESCRIPTION	C.N.	DATE														
<small>THESE DRAWINGS AND SPECIFICATIONS ARE THE PROPERTY OF WIRETEK COMPUTER LIMITED AND SHALL NOT BE REPRODUCED COPIED OR USED IN ANY MANNER WITHOUT THE PRIOR WRITTEN CONSENT OF WIRETEK COMPUTER LIMITED.</small>																	
<small>UNLESS OTHERWISE SPECIFIED: DIMENSIONS ARE IN MILLIMETERS ANGULAR TOLERANCE: ±1.0°</small>		TITLE UTP CABLE															
<table border="1"> <tr> <th>DIMENSIONS</th> <th>TOLERANCE</th> </tr> <tr> <td>0.00 TO 30.00mm</td> <td>±0.10mm</td> </tr> <tr> <td>30.01 TO 80.00mm</td> <td>±0.13mm</td> </tr> <tr> <td>80.01 TO 150.00mm</td> <td>±0.15mm</td> </tr> <tr> <td>150.01mm +</td> <td>±0.20mm</td> </tr> </table>		DIMENSIONS	TOLERANCE	0.00 TO 30.00mm	±0.10mm	30.01 TO 80.00mm	±0.13mm	80.01 TO 150.00mm	±0.15mm	150.01mm +	±0.20mm	<table border="1"> <tr> <td>CHKD.</td> <td>CONF.</td> </tr> <tr> <td>DR. J.Lan</td> <td>APPD.</td> </tr> </table>		CHKD.	CONF.	DR. J.Lan	APPD.
DIMENSIONS	TOLERANCE																
0.00 TO 30.00mm	±0.10mm																
30.01 TO 80.00mm	±0.13mm																
80.01 TO 150.00mm	±0.15mm																
150.01mm +	±0.20mm																
CHKD.	CONF.																
DR. J.Lan	APPD.																
MATERIAL		PART NO. 2615-1224															
FINISH		SCALE SHEET 1/1 UNIT MM SIZE A4 REV. A															